

PATENT SPECIFICATION

Convention Date (Germany): Jan. 11, 1937.

472,031

Application Date (In United Kingdom): March 31, 1937. No. 9200/37.

Complete Specification Accepted: Sept. 15, 1937.



COMPLETE SPECIFICATION

Improvements in and relating to Scent Bottles

We, VON PONCET GLASHÜTTENWERKE AKTIENGESELLSCHAFT, a Company organised under the Laws of Germany, of Friedrichshain, Niederlausitz, Germany, do hereby declare the nature of this invention and in what manner the same is to be performed, to be particularly described and ascertained in and by the following statement:—

10 In bottles of various kinds it has already been proposed to provide indentations or hollows in the sides for various purposes.

15 Thus in specifications Nos. 8745/1909 and 289,253, a concave depression, either plane or ridged, is provided to render gripping of the bottle easier.

20 In the specification No. 19955/1898, a depression is provided in one side of a bottle for the reception of a container for powder, preferably an envelope or carton, the said powder being intended to be mixed with the contents of the bottle before use.

25 In the specification No. 366,357, a bottle for the reception of ink or other liquids is provided with a recess for the reception of a spare cork or for the reception of the cork during use of the bottle.

30 The U.S. specification No. 2,018,878 describes a perfume bottle of rectangular, hollow toroidal form, the rectangular depression in the centre being for the purpose of applying the label and of permitting easy grasping of the bottle.

35 This invention has for its object to widen the circle of possible uses of scent bottles.

40 In almost all cases where a scent bottle is used, as for example at the dressing table or on a journey, it is also necessary for it to be possible to lay down a cigarette during powdering or the like.

45 According to this invention the said possibility is provided by constructing a scent bottle in such manner that it may be used as a receptacle for lighted cigarettes or as an ash-tray by providing one or both of the larger side surfaces of the 50 bottle, which are preferably of flat construction, with a hollow for the reception

of ash and one or more grooves in which, as in the usual ash-tray, a burning cigarette may be laid.

Two modifications of the invention are 55 shown by way of example in the accompanying drawing.

Figure 1 shows a bottle of triangular shape in an upright position and

Figure 2 shows a bottle of quadratic 60 or rectangular shape in a lying position, i.e. ready for use as a cigarette receptacle or ash-tray.

In both cases there is provided on one large side surface of the bottle a central 65 bowl-shaped hollow *a* for the reception of ash and also grooves *b* opening into the same and of suitable cross-section in which cigarettes may be laid. Any 70 desired number of grooves *b* may be provided.

The scent bottle according to this invention may consist of any material usual for the preparation of bottles, as 75 for example glass, opalescent glass, artificial composition or metal.

The invention is not restricted to the modifications hereinbefore described in detail and shown in the drawing, but 80 may be altered in different ways, in particular as regards the construction and shaping of the bottle.

Having now particularly described and ascertained the nature of our said invention and in what manner the same is to 85 be performed, we declare that what we claim is:—

1. A scent bottle wherein one or both of the flat sides of the bottle are provided 90 with a hollow for the reception of ash and one or more grooves opening into the said hollow.

2. A scent bottle as claimed in claim 1, wherein the hollow is a central 95 bowl-shaped hollow.

3. A scent bottle substantially as herein described or shewn in Figure 1 or Figure 2 of the accompanying drawing.

Dated this 31st day of March, 1937.

J. Y. & G. W. JOHNSON,
47, Lincoln's Inn Fields, London, W.C.2,
Agents.

[This Drawing is a full-size reproduction of the Original.]

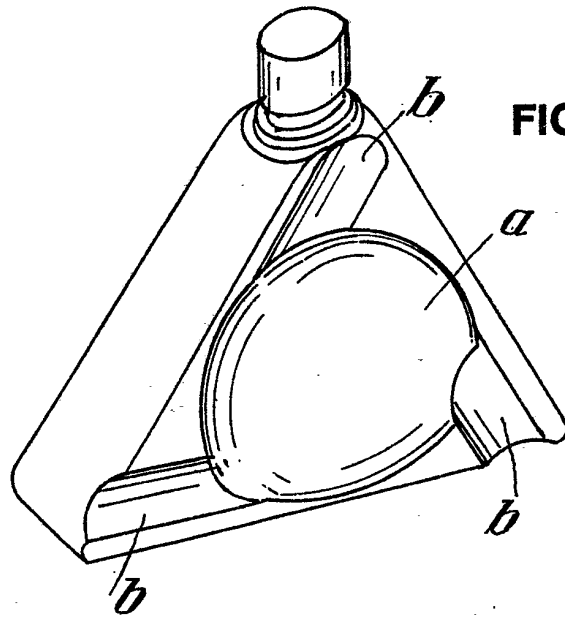


FIG. 1

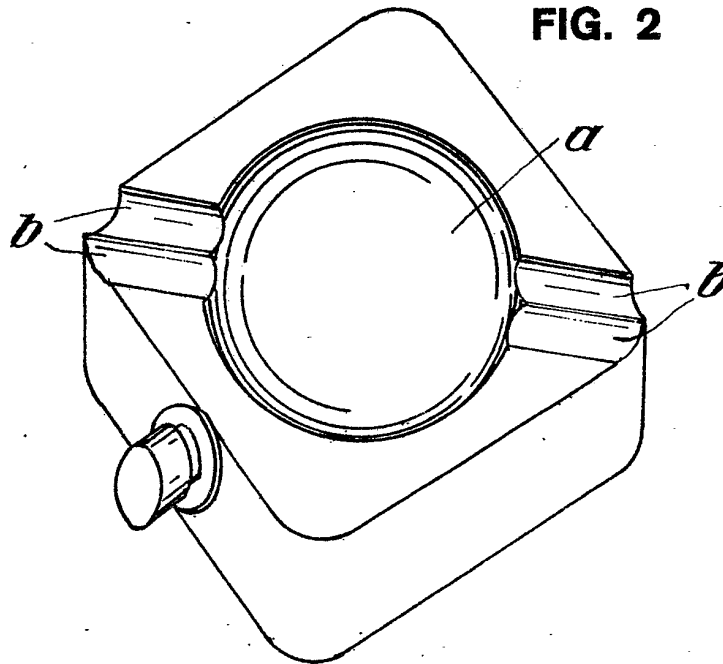


FIG. 2